

G. PROTECTIVE CONTROL BOX TESTING (Figure 12-10)

WARNING

Negative battery cable must be disconnected before removing any connector from the protective control box, or injury to personnel or damage to equipment may result.

NOTE

During continuity check of pin "A" and pin "G" at the body harness connector, the ignition switch must be in the "START" position.

1. Disconnect body harness connector and engine harness connector from protective control box. Check for continuity between pin "A" and "G" on the body harness

connector. Continuity should be between 0.1–0.3 ohms. If the incorrect reading is found go to step 2. If the correct reading is found, go to step 3.

2. Disconnect lead 14B from the neutral start switch. Check for battery voltage at neutral start switch lead 14 with rotary switch in "START". If battery voltage is present, disconnect the negative battery cable from battery, both cannon plugs from protective control box and lead 74A from starter. Ground lead 74A and check pin I on the engine wiring harness cannon plug for the control box. If continuity is present, check lead 14B on neutral start switch to pin A on the body wiring harness cannon plug for the control box. If continuity is present, replace the control box. If no continuity is present, repair wiring harnesses. Reconnect

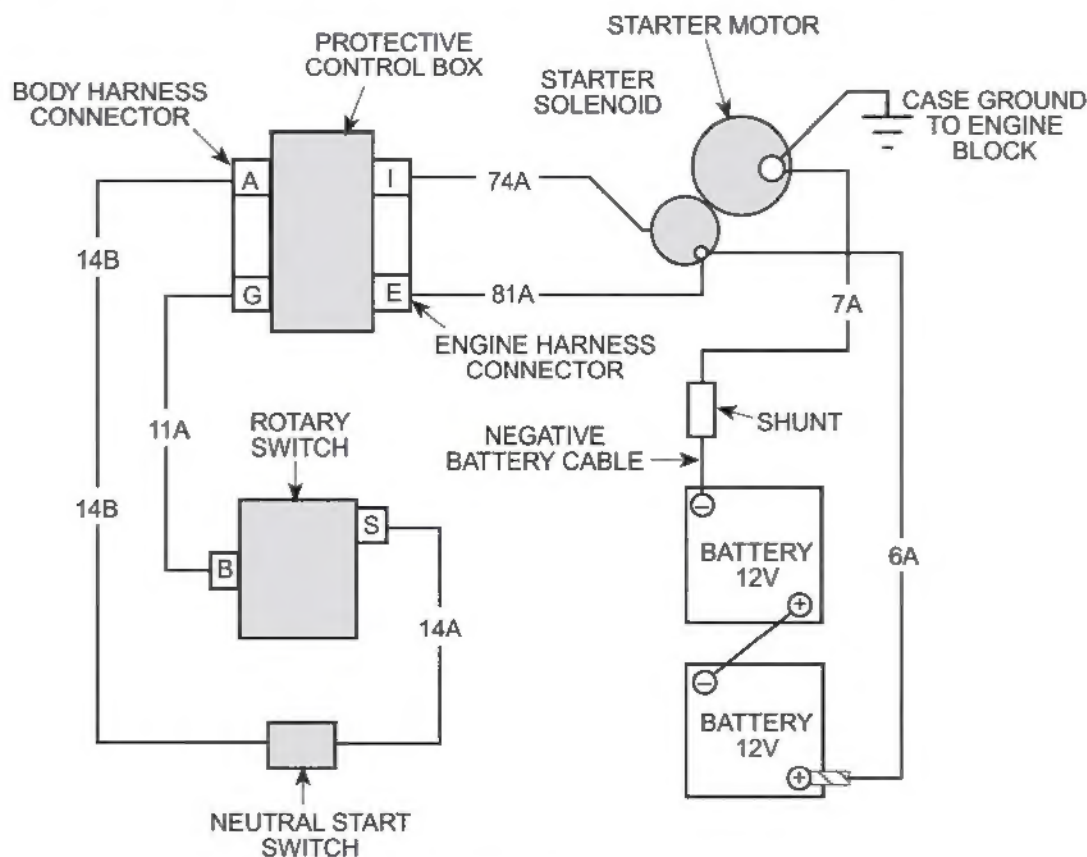


Figure 12-10. Starting System Schematic—Protective Control Box Testing.

protective control box cannon plugs, neutral start switch lead 14B, starter lead 74A to starter, and negative battery cable to battery.

3. Disconnect negative battery cable from battery and disconnect protective control box cannon plugs from protective control

box. Reconnect negative battery cable to battery. Check pin E of engine wiring harness cannon plug for battery voltage. If voltage is present, check for continuity from pin G on control box body wiring cannon plug to lead 11A of rotary switch. If continuity is present, replace protective control box. If no continuity is present, repair body wiring harness.

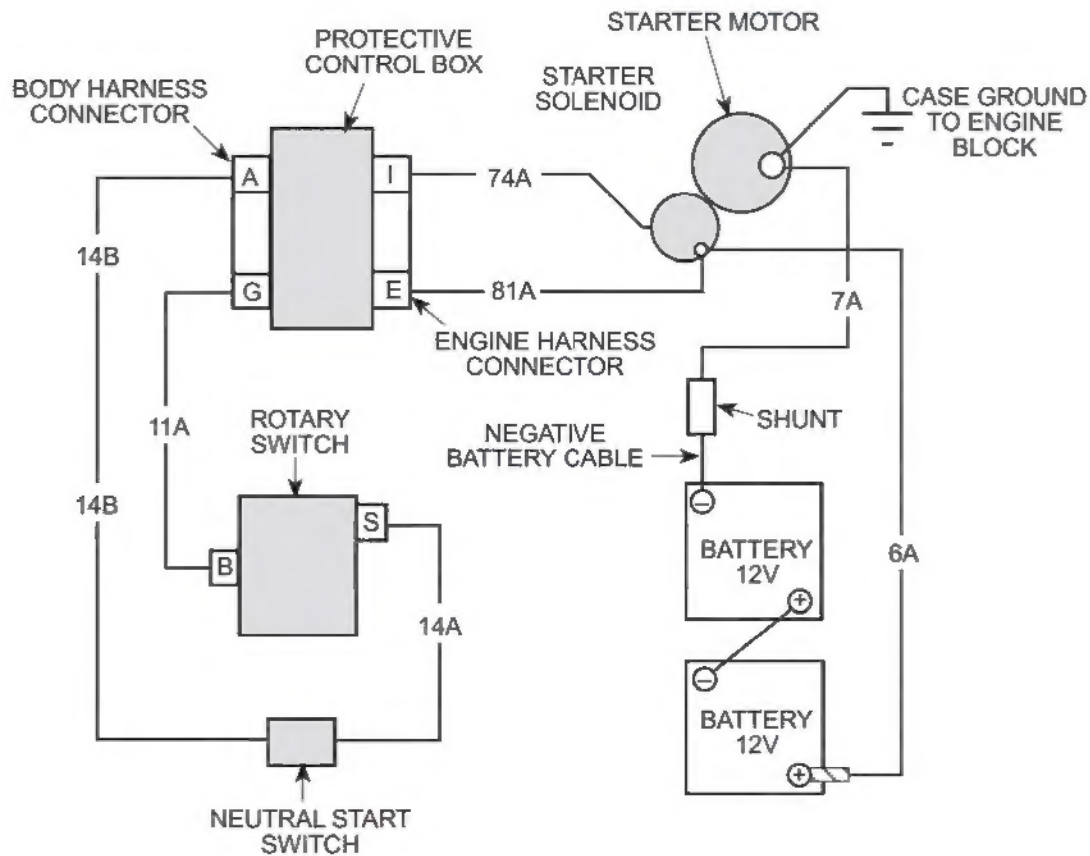


Figure 12-10. Starting System Schematic—Protective Control Box Testing.