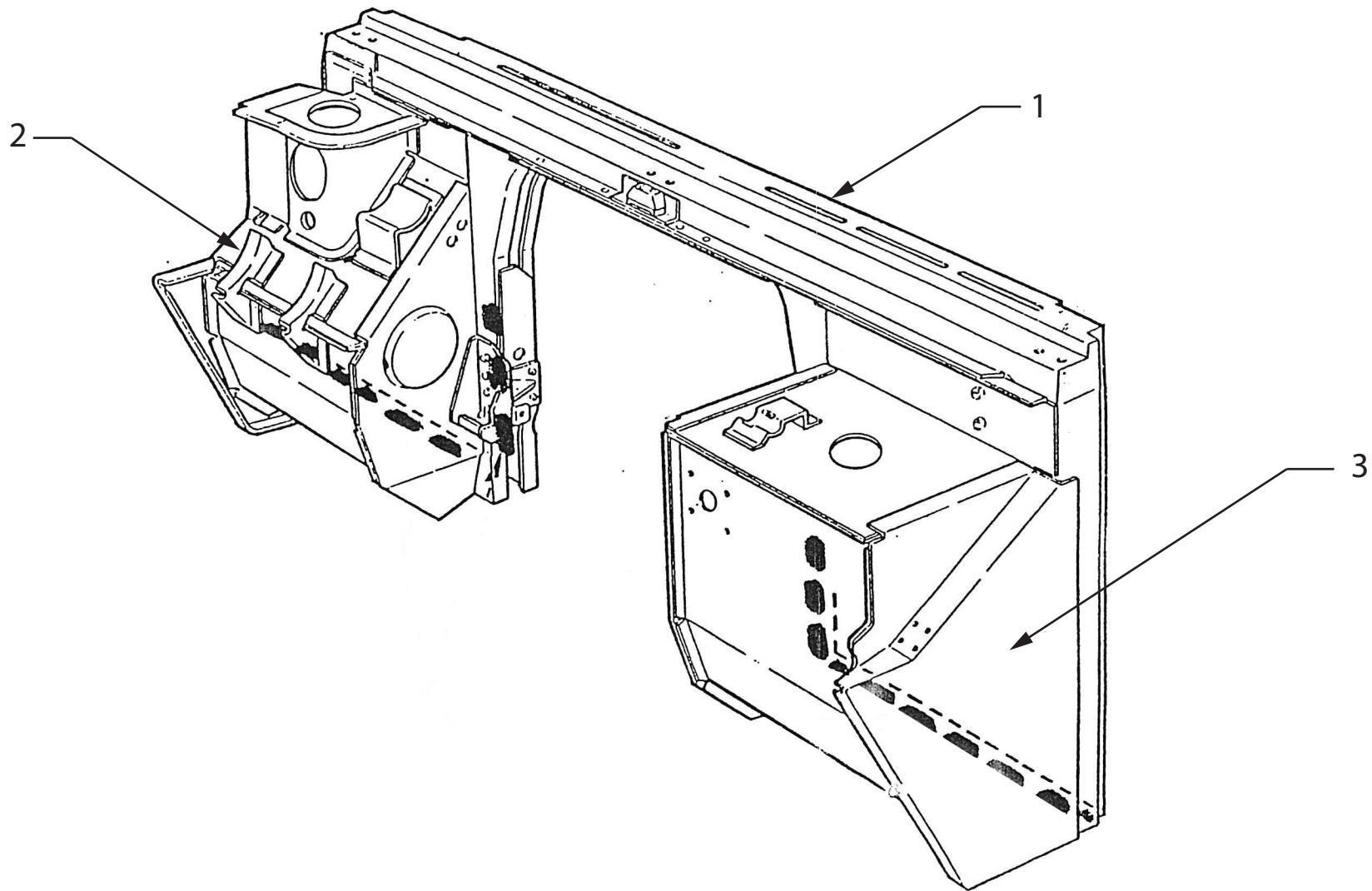
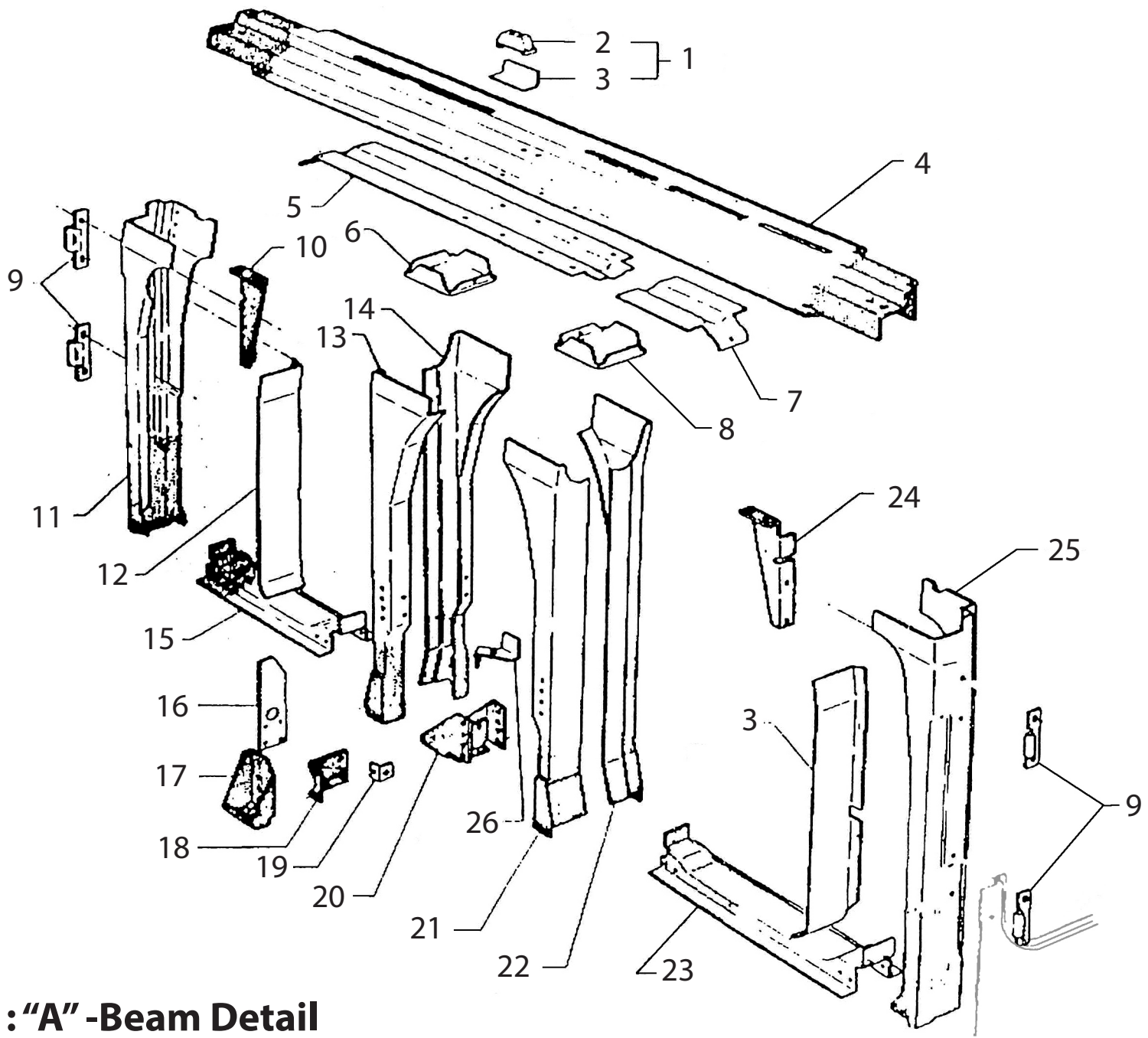


## **BODY PANEL, PARTS AND HARDWARE GUIDE**

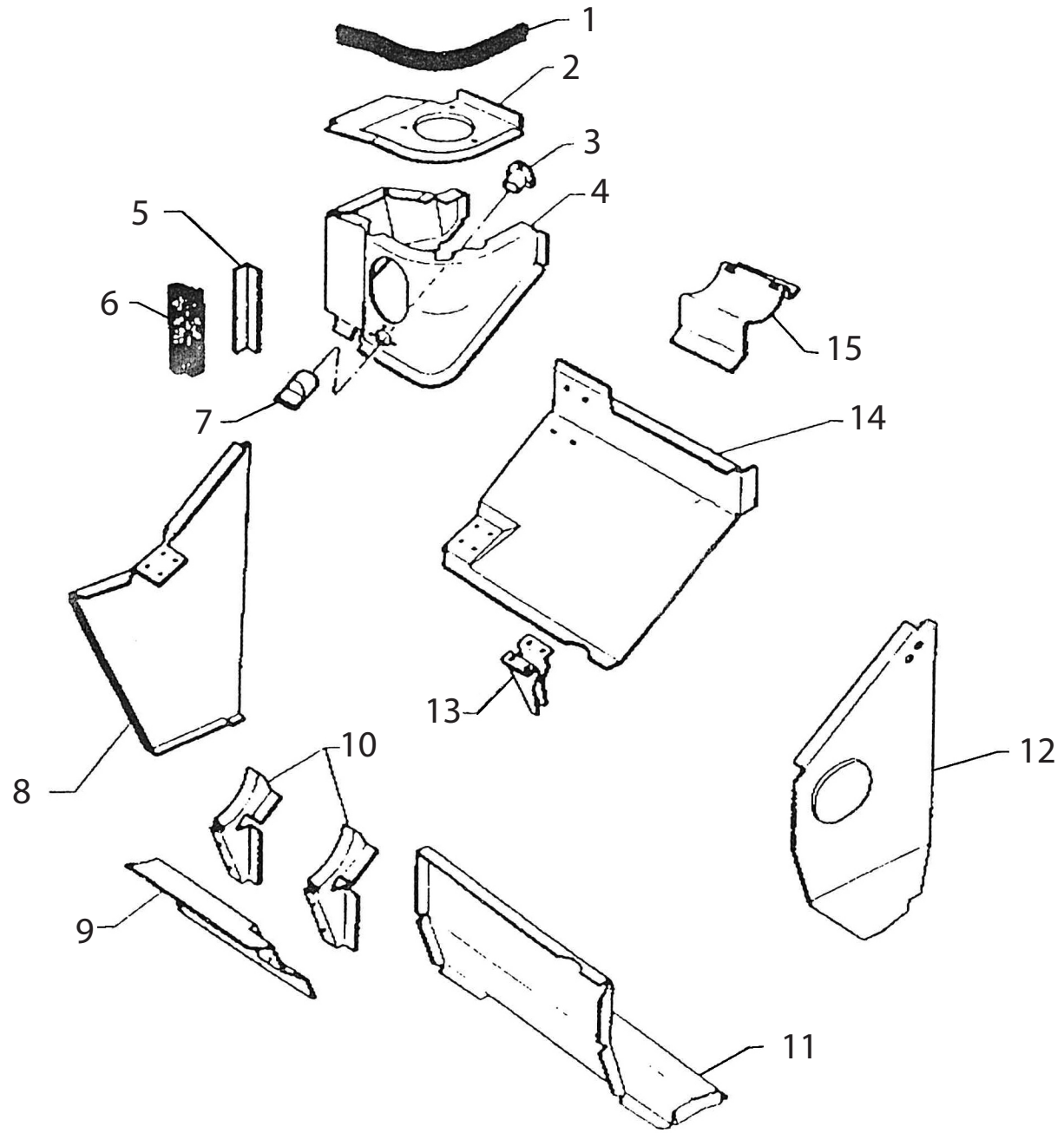
We have a wide selection of new and take-off body panels, brackets, fittings and hardware. Please call us at [864-422-0370](tel:864-422-0370) and give us the page number and key number from this book and we'll find the part you need!



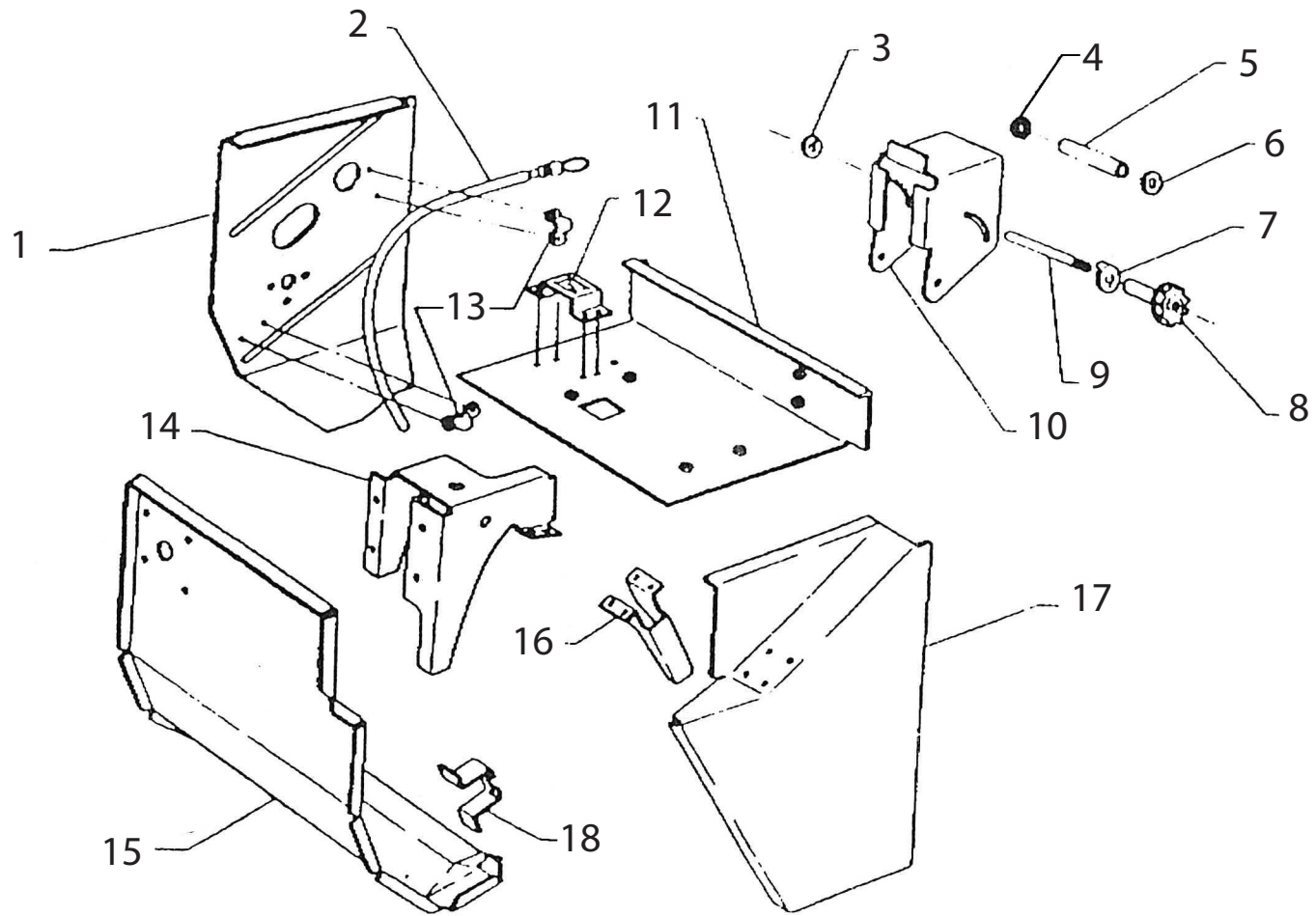
**Fig 1 : "A" -Beam & Footwells**



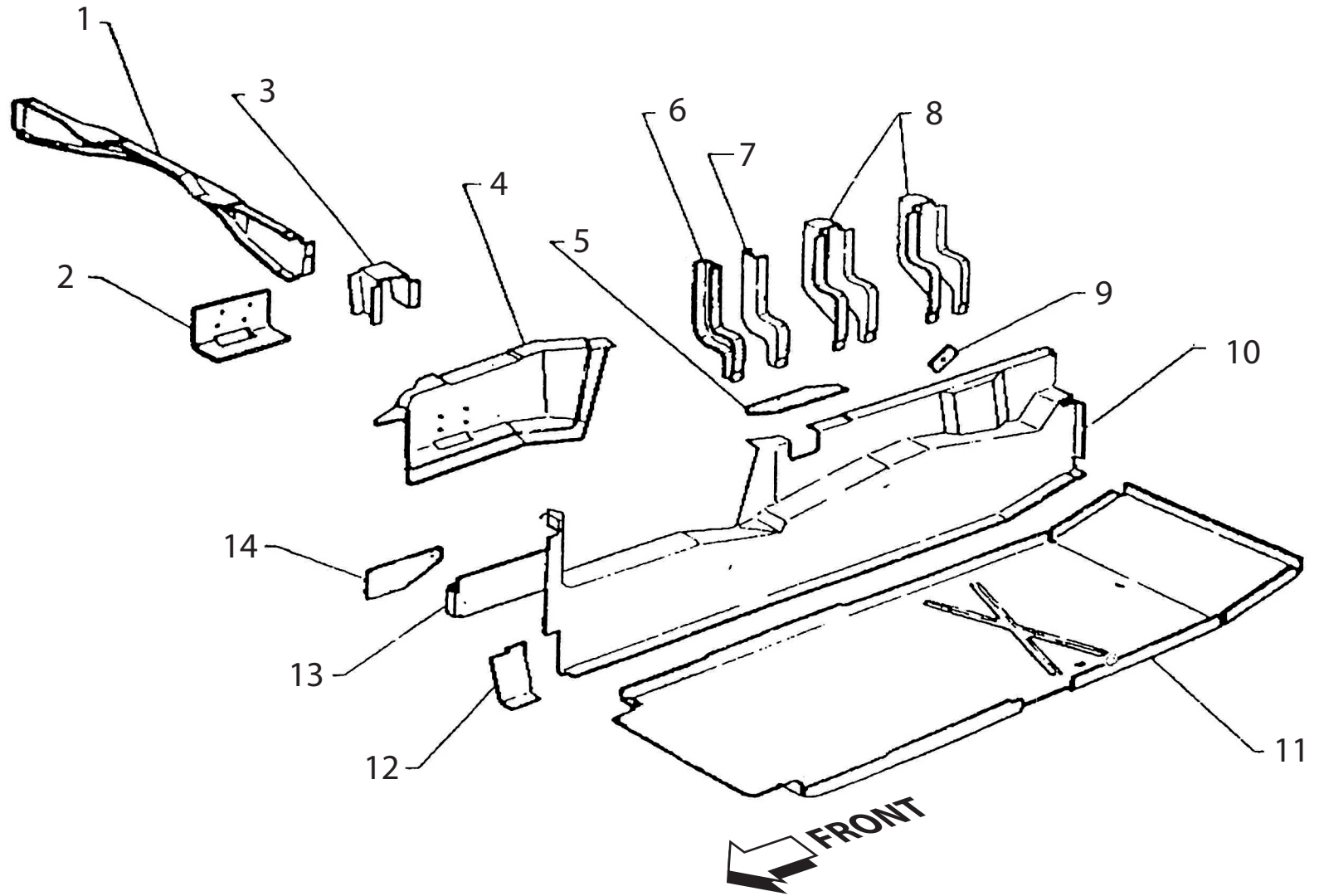
**Fig 2 : "A" -Beam Detail**



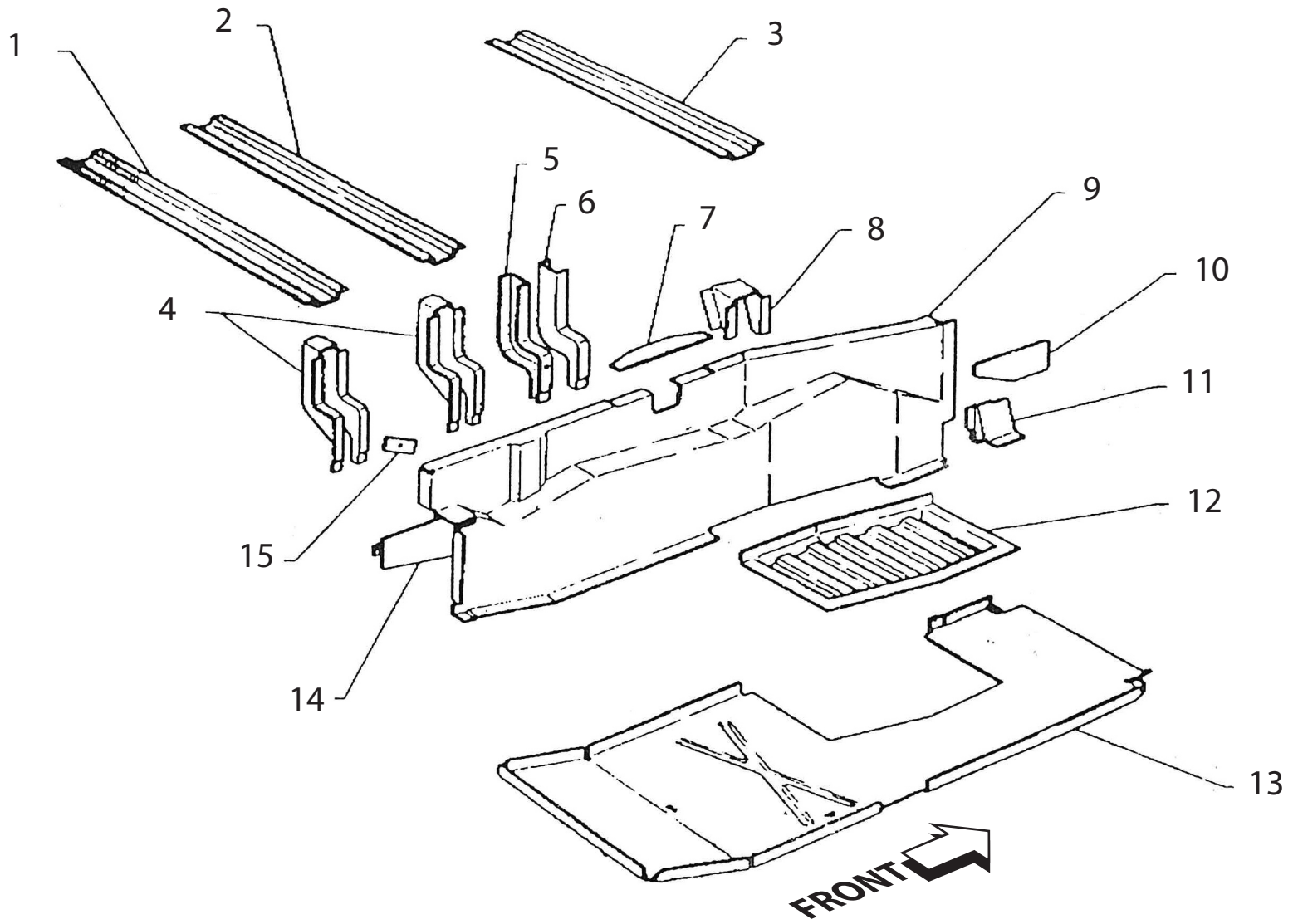
**Fig 3 : Footwell, Right (Passenger) Side**



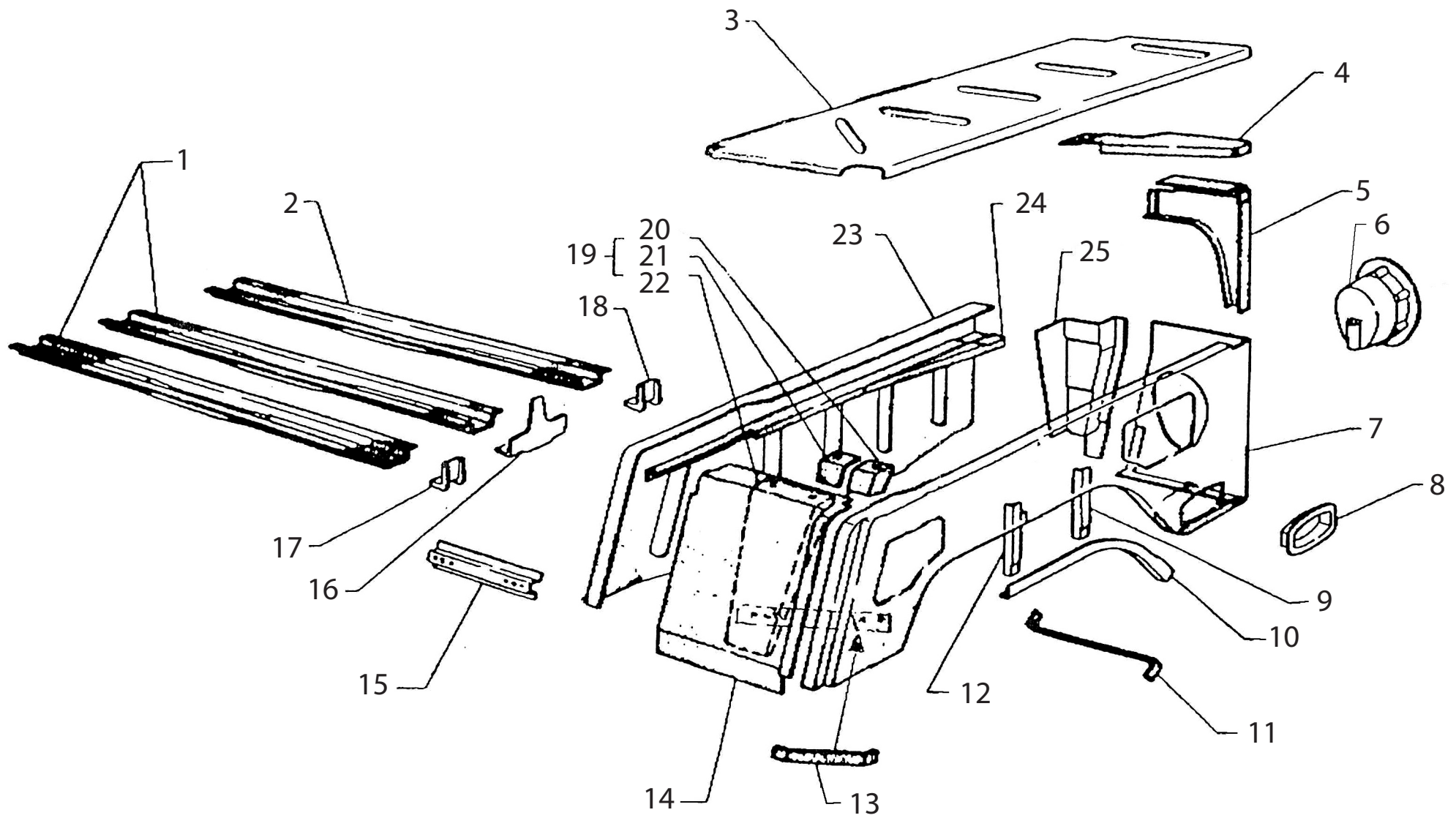
**Fig 4 : Footwell, Left (Drivers) Side**



**Fig 5 : Floor Pan, Left (Driver's) Side**

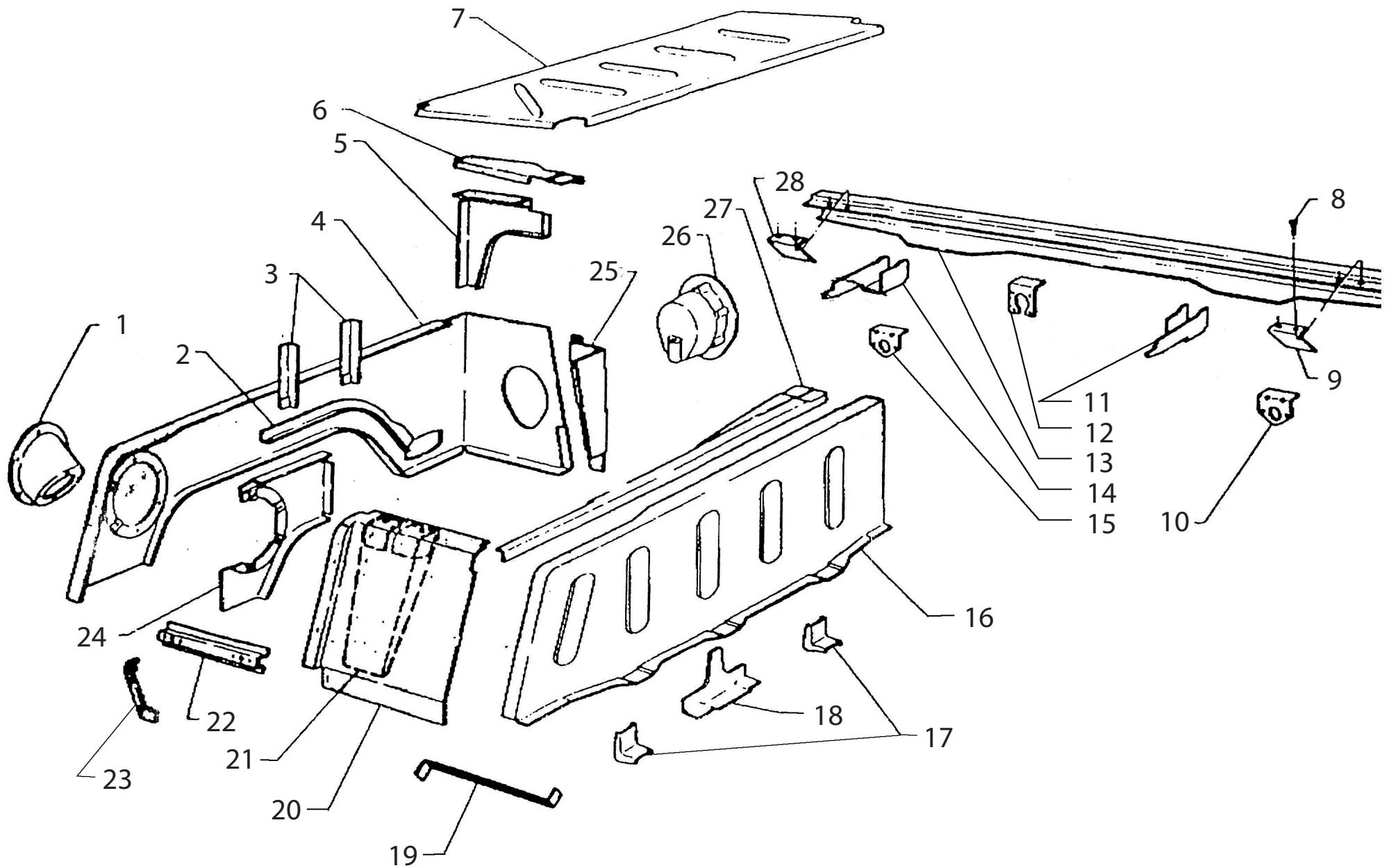


**Fig 6 : Floor Pan, Right (Passenger) Side**

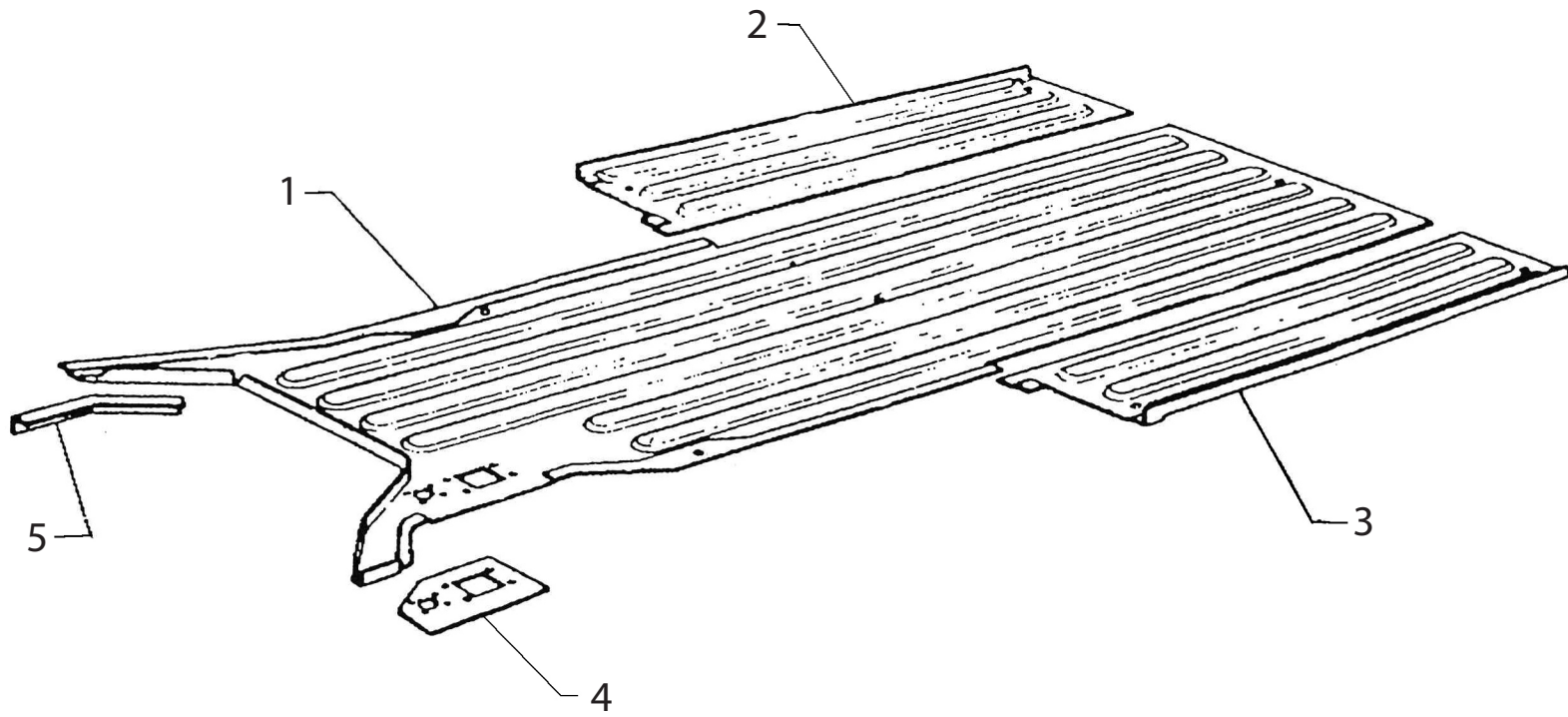


**Fig 7 : Fender, Left (Driver's) Side**

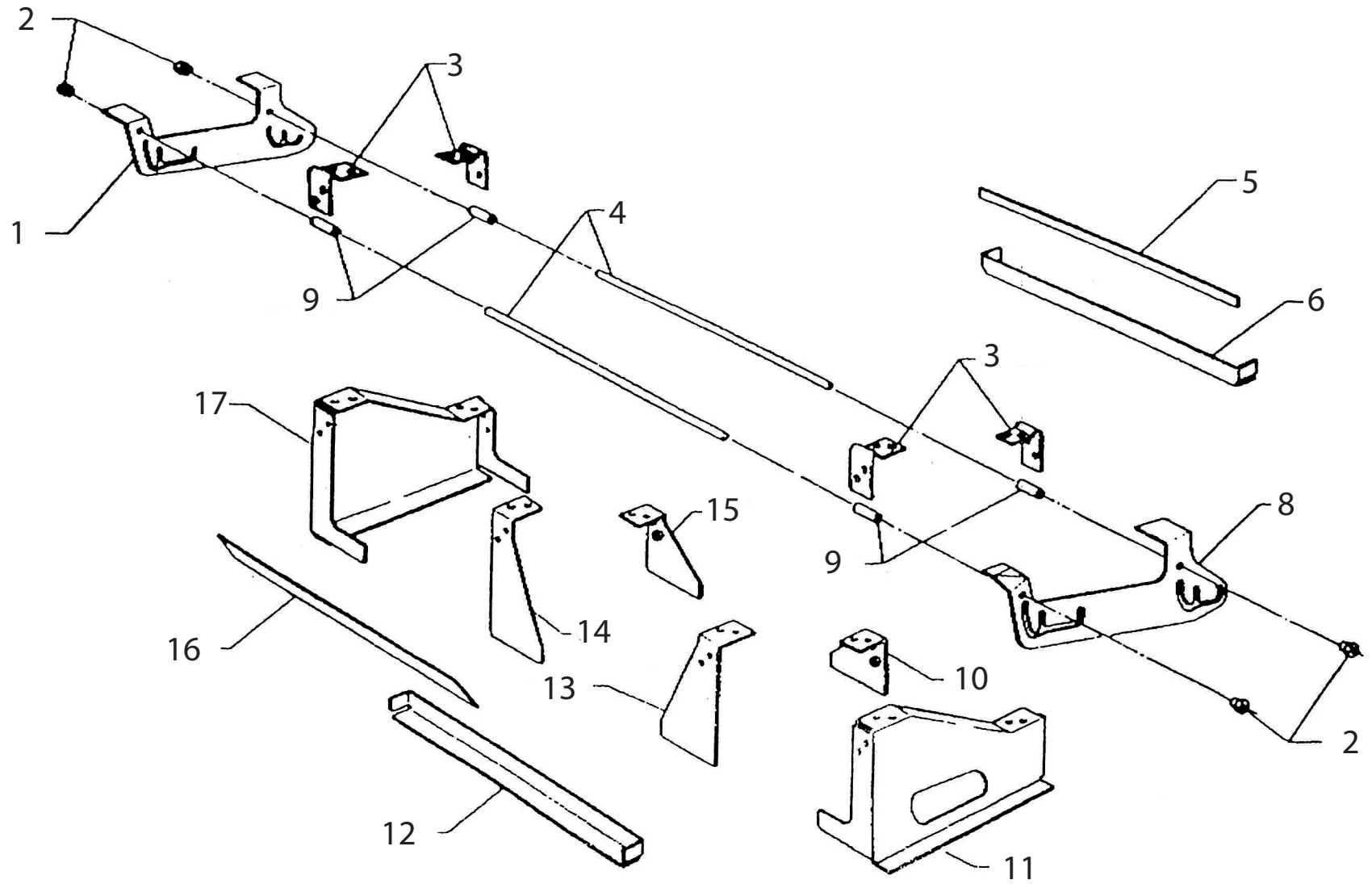




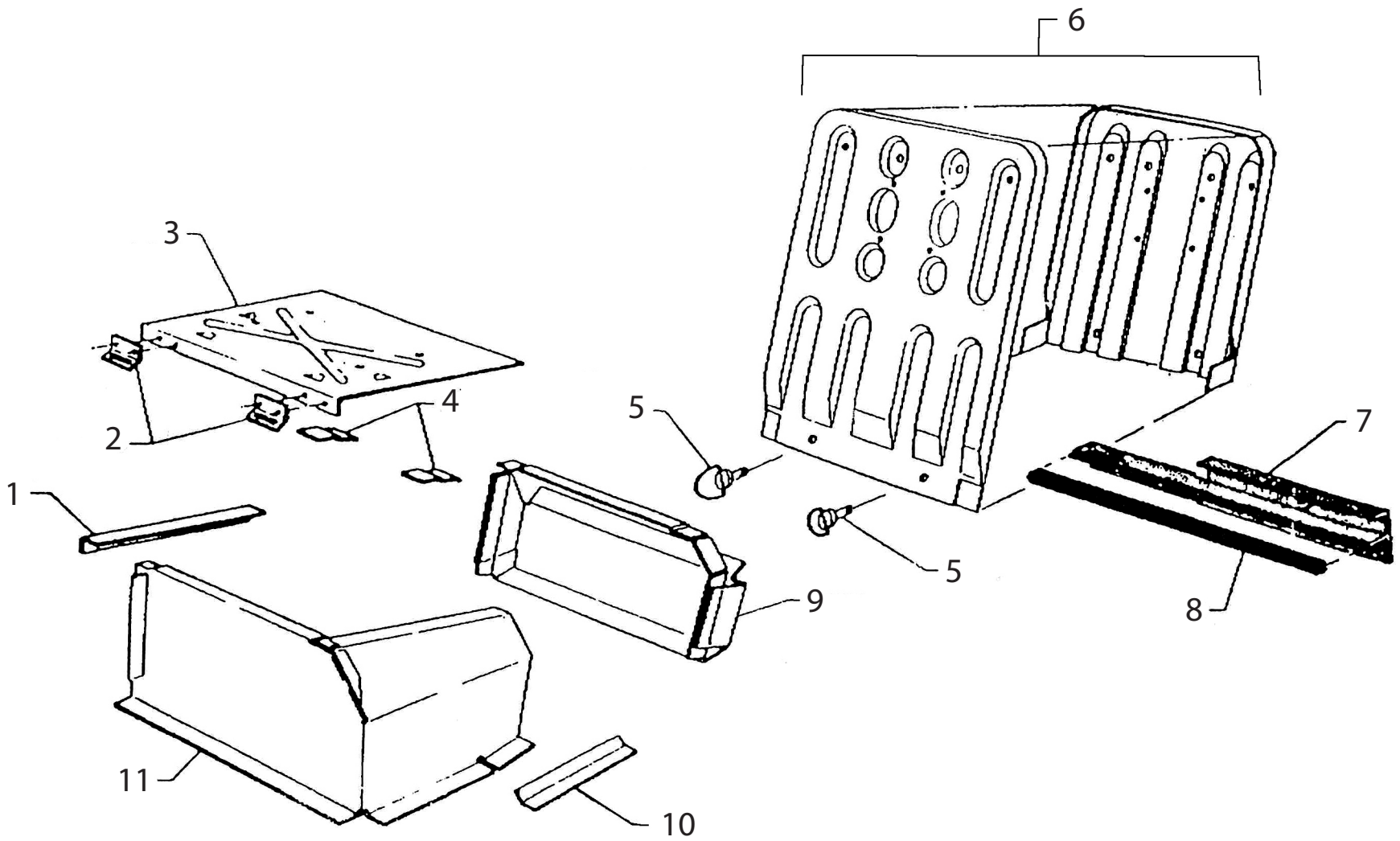
**Fig 8 : Fender, Left (Passenger) Side**



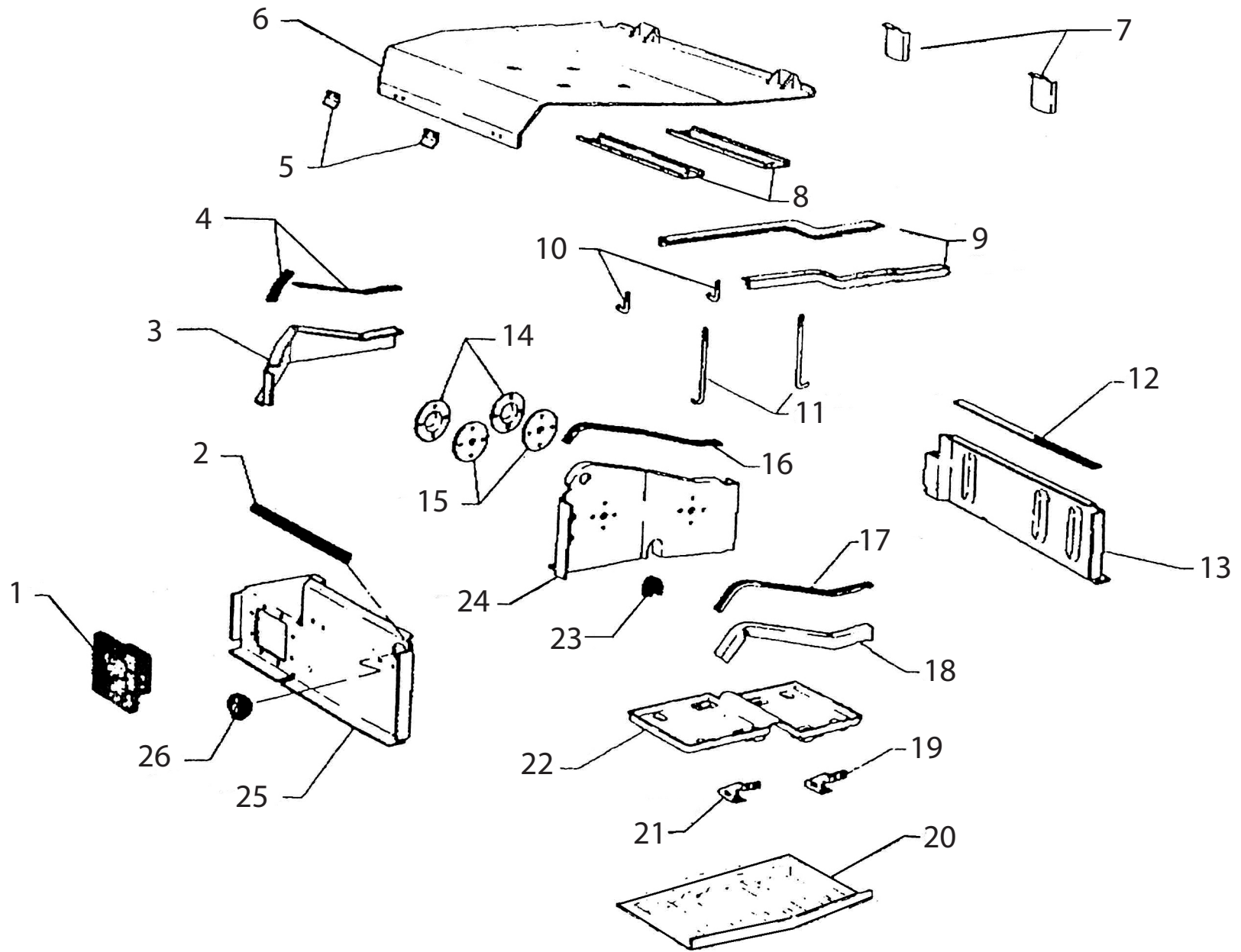
**Fig 9 : Cargo Area Floor**



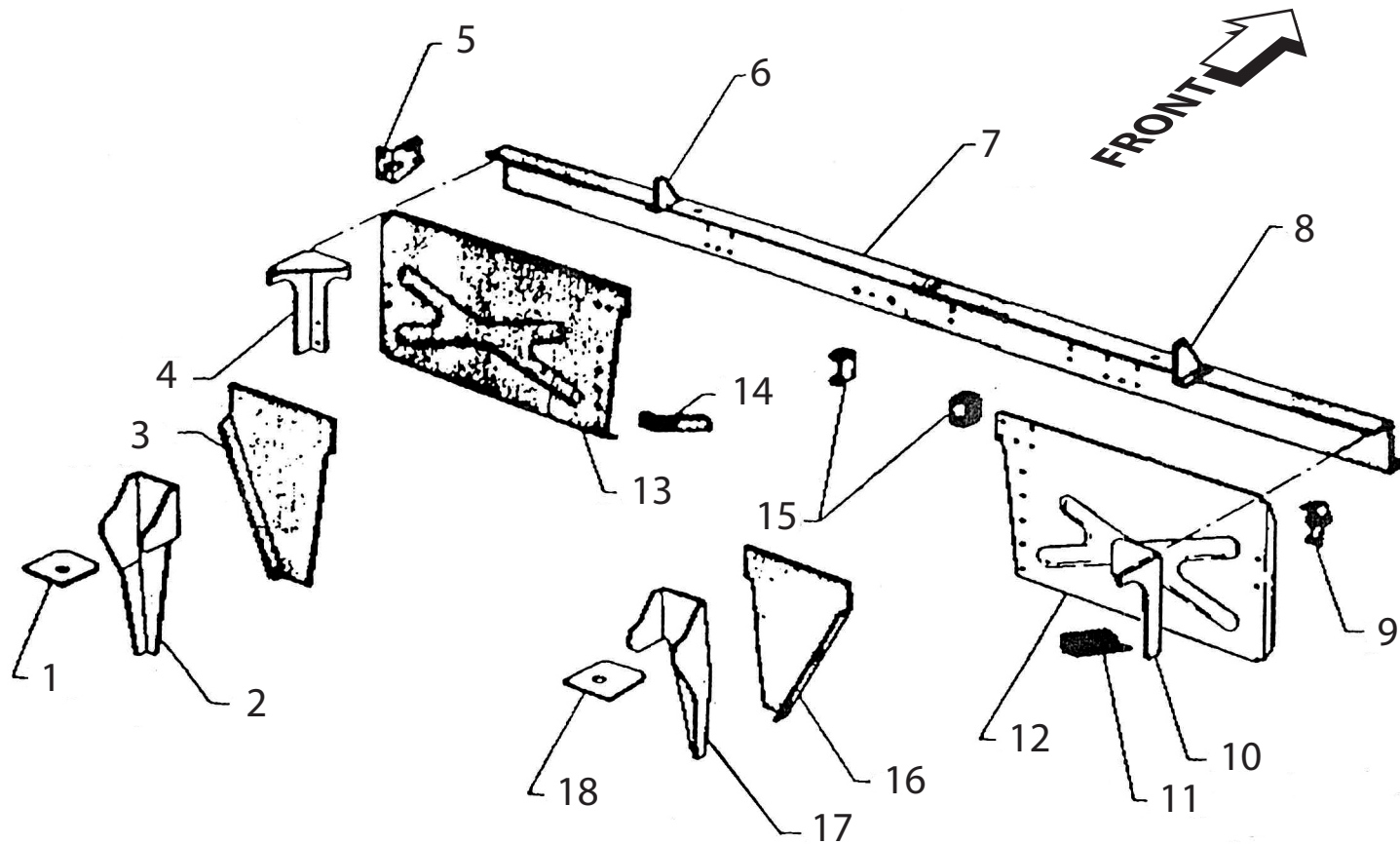
**Fig 10 : Seat Base, Driver's Side**



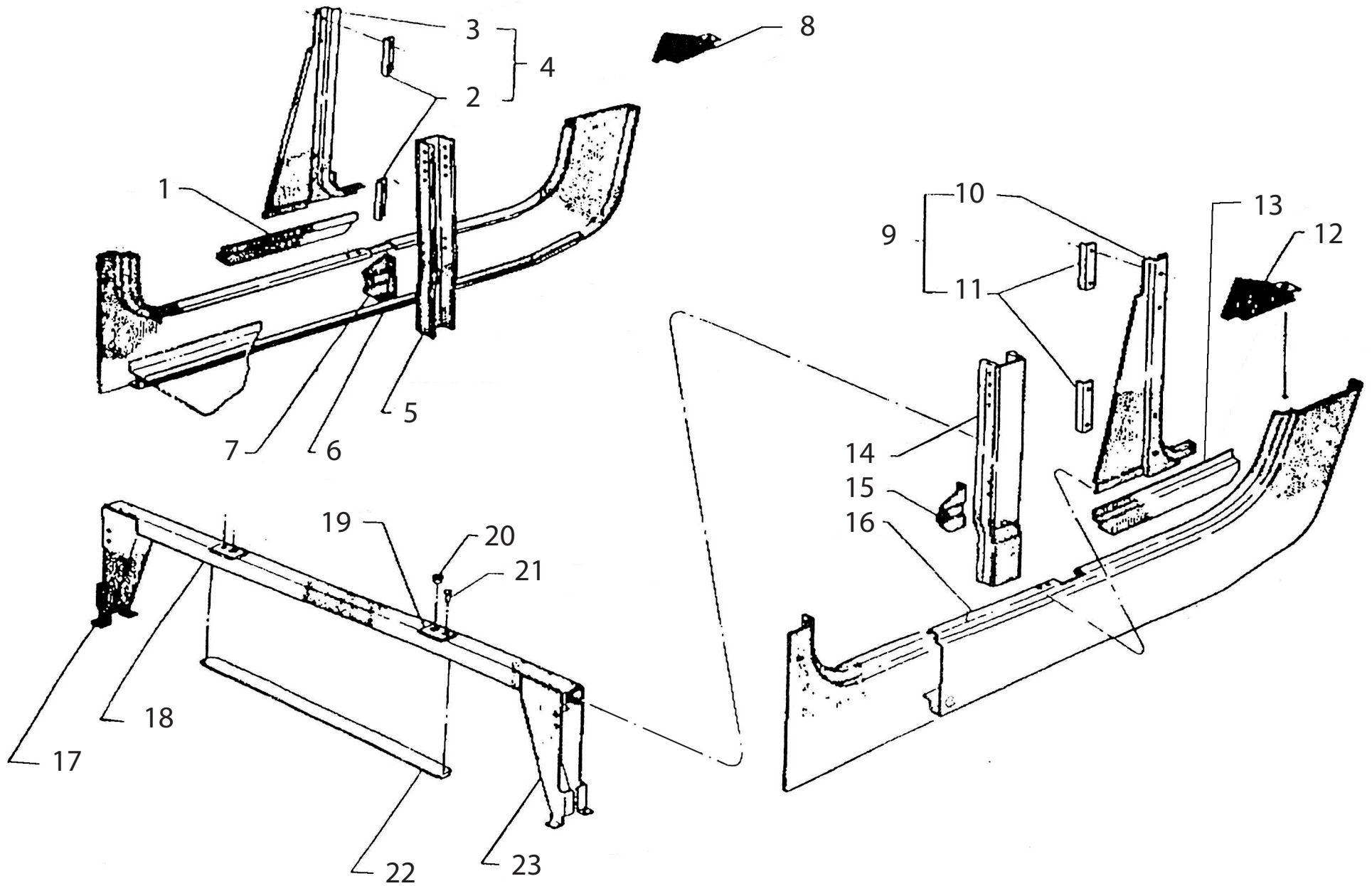
**Fig 11 : Seat Frame**



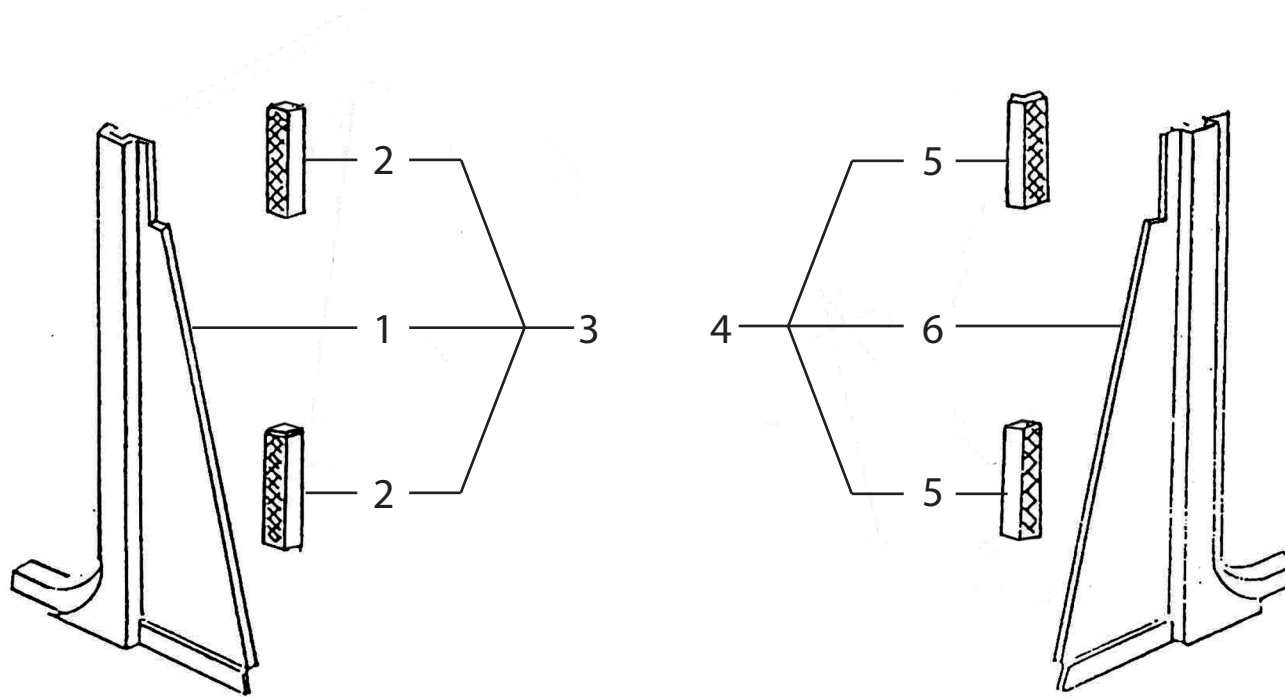
**Fig 12 : Seat Base, Passenger Side**



**Fig 13 : "C"-Beam Assembly**

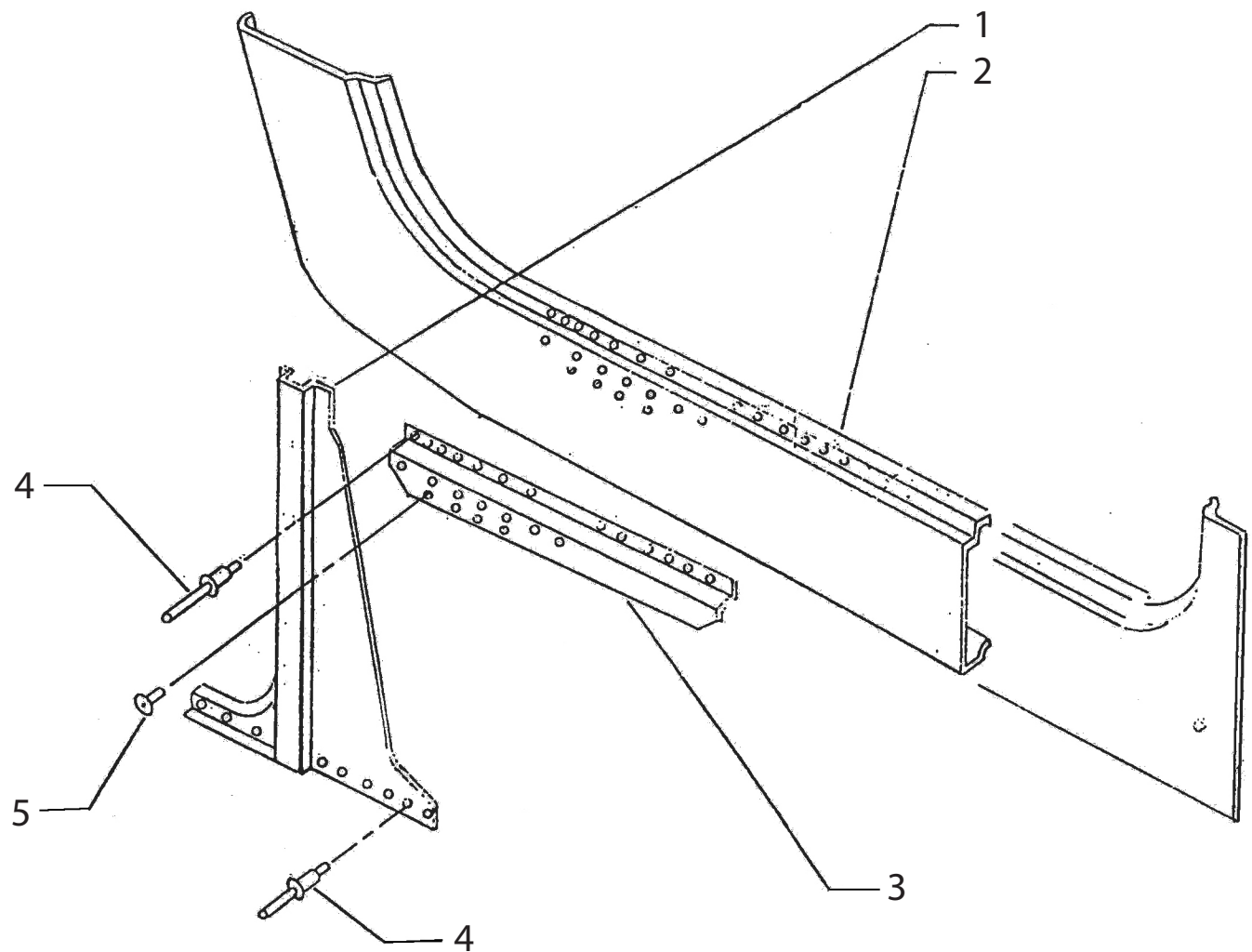


**Fig 14 : Rocker Panels & Lower "B" Pillar**

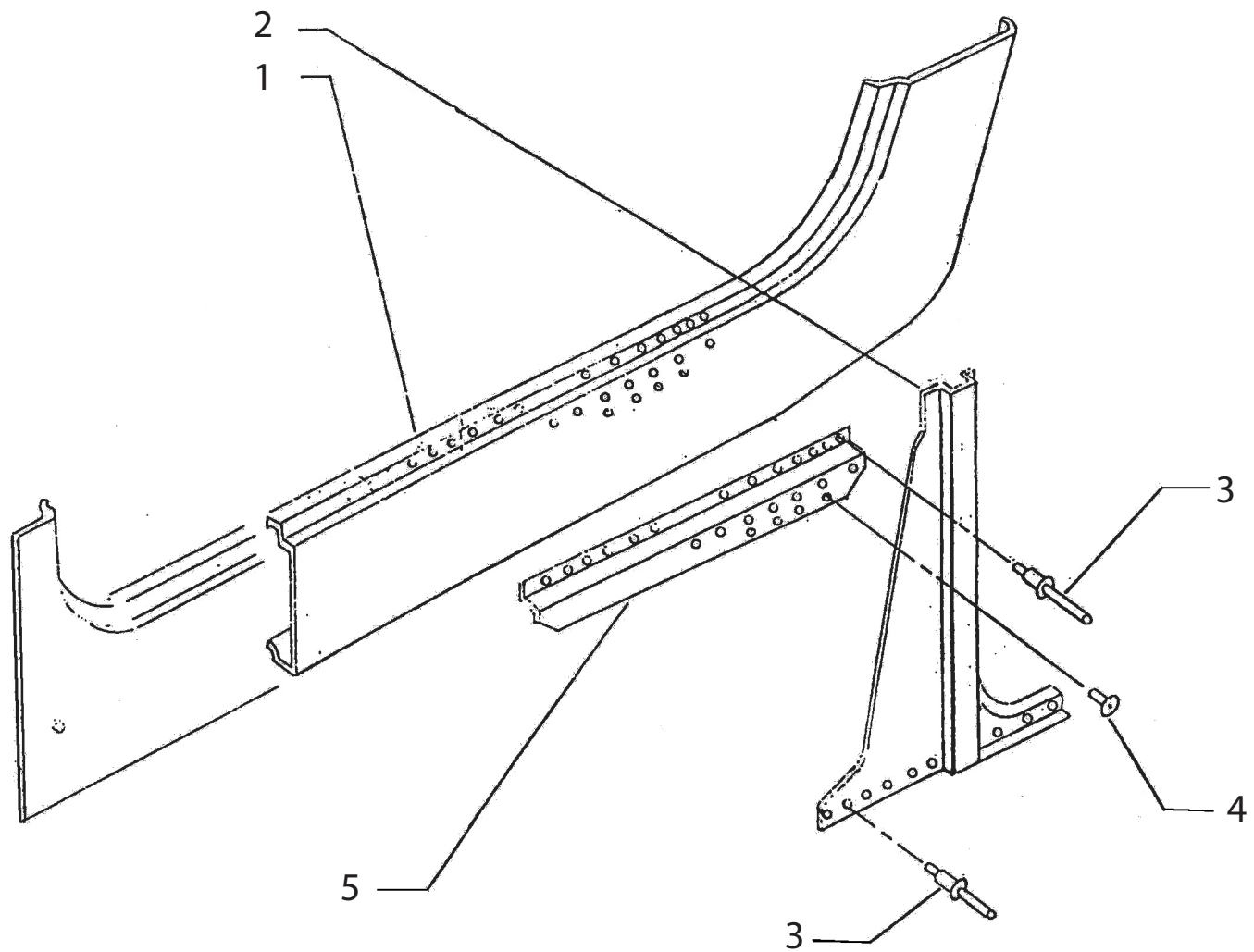


**Fig 15 : "B" Pillar Rabbets**

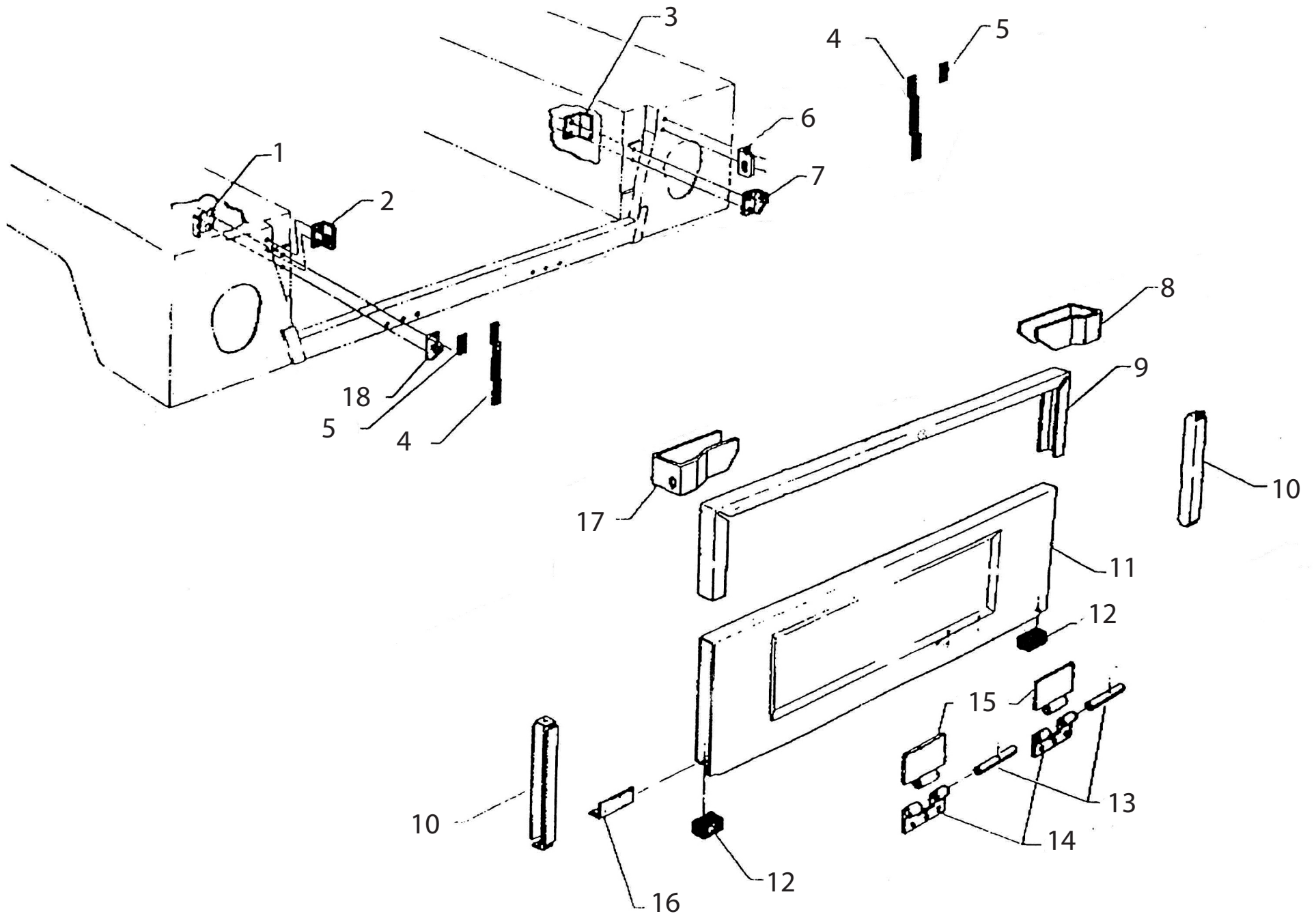




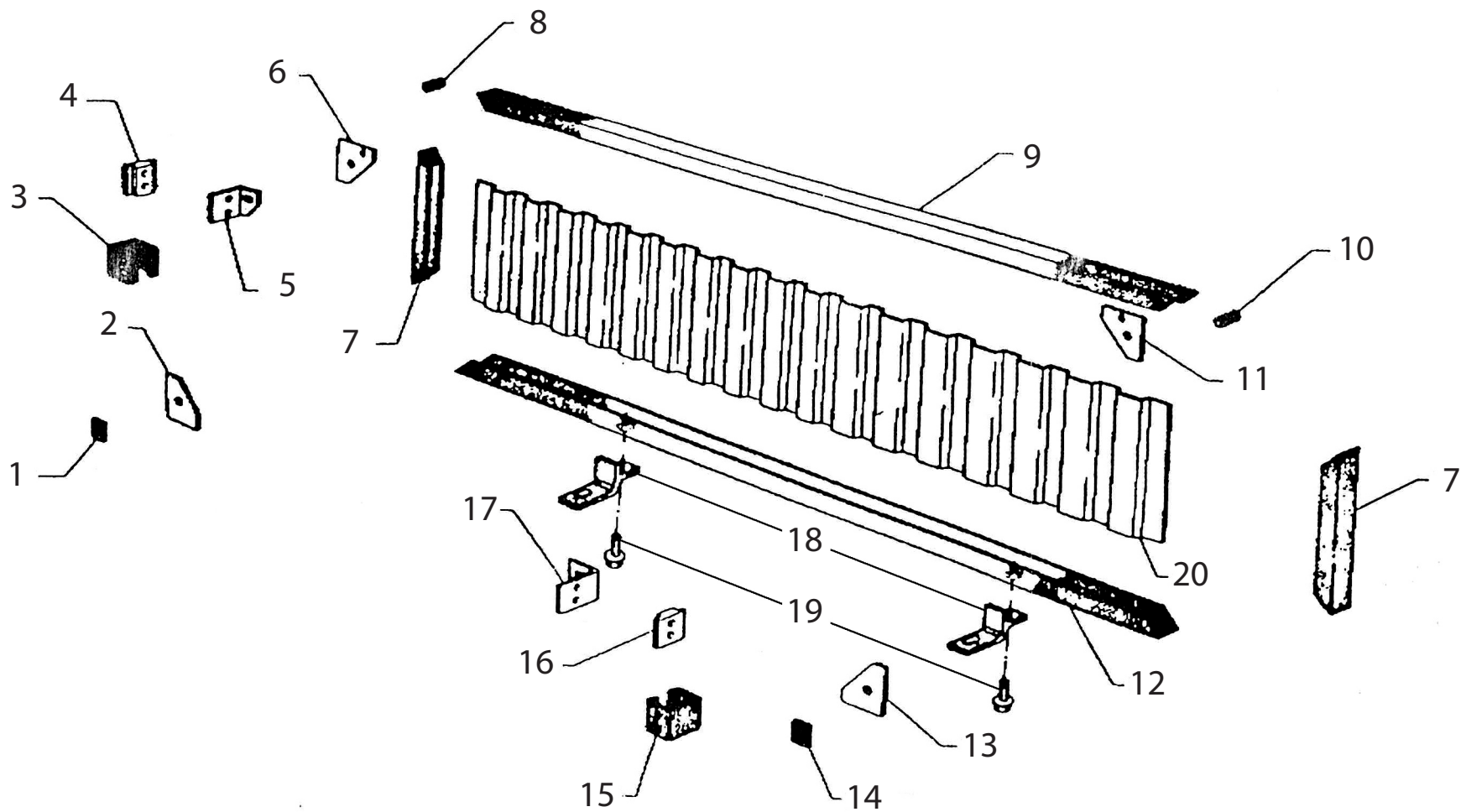
**Fig 16 : Rocker Panel, Right (Passenger) Side**



**Fig 17 : Rocker Panel, Left (Driver's) Side**



**Fig 18 : Tailgate Detail**



**Fig 19 : Cargo Bulkhead Detail**